

# Mainstream SuperServer SYS-221P-C9R



More details here

## Key Applications

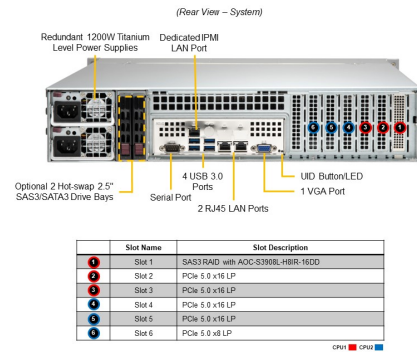
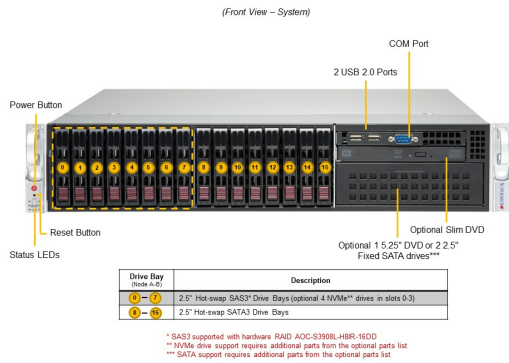
Virtualization, Enterprise Server, Application and data serving, Compute Intensive Applications,

## Key Features

- Dual Socket E (LGA-4677) 5th/4th Gen Intel® Xeon® Scalable processors, supports up to 300W TDP;
- 16 DIMM slots, Up to 4TB DDR5-5600MHZ/4800MHz ECC Registered RDIMM;
- 4 PCIe 5.0 x16 Low Profile (LP), 1 PCIe 5.0 x8 Low Profile (LP);
- 16 hotswap 2.5" drive bays with 8 SAS RAID (0, 1, 5, 6, 10, 50, 60) and 8 SATA drive support;
- 1200W Redundant Titanium level Power Supplies;



Form Factor	2U Rackmount Enclosure: 437 x 89 x 630mm (17.2" x 3.5" x 24.8") Package: 737 x 279 x 983mm (29" x 11" x 38.7")
Processor	Dual Socket E (LGA-4677) 5th Gen Intel® Xeon®/4th Gen Intel® Xeon® Scalable processors
System Memory	Slot Count: 16 DIMM slots Max Memory (1DPC): Up to 4TB 5600MT/s ECC DDR5 RDIMM
Drive Bays	16x 2.5" hot-swap drive bays (8x SAS drive bays in the slot 0~7 via Broadcom® 3908 HW RAID and 8x SATA3 drive bays in the slot 8~15 via Intel® C741. Configurable option for 4x hot-swap NVMe in drive bay slot 0~3. NVMe or Additional SAS support requires additional parts. Please see the Optional Parts list) 2 M.2 NVMe
Expansion Slots	4 PCIe 5.0 x16 LP slot(s) 1 PCIe 5.0 x8 LP slot(s)
On-Board Devices	Chipset: Intel® C741 Network Connectivity: 2x 1GbE port(s) IPMI: Support for Intelligent Platform Management Interface v.2.0 IPMI 2.0 with virtual media over LAN and KVM-over-LAN support
Input / Output	LAN: 1 RJ45 Dedicated BMC LAN port USB: 2 USB 2.0 port(s) (2 front) 4 USB 3.0 port(s) (4 rear) Video: 1 VGA port(s) Serial Port: 2 COM Port(s) (1 rear; 1 front) DOM: 2 SuperDOM (Disk on Module) port



System Cooling	Fans: 3x 8cm heavy duty fans with optimal fan speed control
Power Supply	1200W Redundant Titanium Level power supplies
System BIOS	BIOS Type: AMI 32MB SPI Flash EEPROM
Management	Redfish API; Supermicro Server Manager (SSM); Supermicro Power Manager (SPM); Supermicro Update Manager (SUM); SuperDoctor® 5; Super Diagnostics Offline ; KVM with dedicated LAN ; IPMI 2.0
PC Health Monitoring	CPU: Monitors for CPU Cores, Chipset Voltages, Memory FAN: Fans with tachometer monitoring Status monitor for speed control Pulse Width Modulated (PWM) fan connectors Temperature: Monitoring for CPU and chassis environment Thermal Control for fan connectors
Dimensions and Weight	Height: 3.5" (89 mm) Width: 17.2" (437 mm) Depth: 24.8" (630 mm) Gross Weight: 63 lbs (28.8 kg) Net Weight: 38 lbs (17.4 kg) Packaging: 11" (H) x 29" (W) x 38.7" (D) Available Color: Black
Operating Environment	ROHS: RoHS Compliant Operating Temperature: 10°C ~ 35°C (50°F ~ 95°F) Non-operating Temperature: -30°C to 60°C (-40°F to 140°F) Operating Relative Humidity: 8% to 80% (non-condensing) Non-operating Relative Humidity: 8% to 90% (non-condensing)
Motherboard	<a href="#">Super X13DEI</a>
Chassis	CSE-213BTS-R1K23LPBP3-1

## Parts List

### Standard Parts (Parts Included)

#### Motherboard / Chassis

Part Number	MBD-X13DEI	CSE-213BTS-R1K23LPBP3-1
Qty	1	1
Description	Super X13DEI Motherboard	2U Chassis

#### Add-on Card / Module

Part Number	AOC-S3908L-H8IR-16DD-P
Qty	1
Description	8 int 12Gb/s ports, x8 Gen4, ROC - LP, 16 HDDw/ exp,RoHS

#### Backplane

Part Number	BPN-SAS4-213A-N8
Qty	1
Description	2U 16-slot SFF 2.5" SAS4 direct-attached backplane, 1st 8 slots also support NVMe Gen5.,RoHS

#### Cable

Part Number	CBL-PWEX-1109-10 CBL-PWEX-1069	CBL-SAST-1261-100	CBL-0071L	CBL-0217L	CBL-PWCD-0160-IS
Qty	2 3	2	1	1	2
Description	MicroFit,2x4,PH3.0,F to 2x BIG,1x4,PH5.08,M,10CM,10A/pin PWEX,FAN,1X4/P2.5 TO 1X4/P2.54,30CM,22AWG,5A/pin,RoHS	Slimline x8 (STR) to 2x Slimline x4 (STR),60/60CM,100 O	ROUND 16 TO 16 PIN RIBBON FP CABLE 30"L, LF	16PIN CNTL PANEL CONVERTER CBL FOR SC826,PBF	PWCD,US,NEMA5-15P TO IEC60320 C13,6FT,16AWG,RoHS/REACH

#### Drive Tray(s)

Part Number	MCP-220-00007-01	MCP-220-00009-01	MCP-220-00023-01	MCP-220-00047-0B
Qty	1	1	1	16
Description	Black USB/COM port tray for SC825, 836	Black 5.25"; drive tray w/o rail (square pattern)	Black USB dummy tray support 1x 2.5" slim HDD for SC825, 836	Black gen 3rd hot-swap 2.5inch HDD tray

#### Parts

Part Number	MCP-260-00042-3N
Qty	1
Description	STD I/O shield for X13 server MB with venting holes

#### Manual

Part Number	MNL-2566-QRG
Qty	1
Description	221P-C9R(T) Quick Reference Guide

#### Software

Part Number	SFT-00B-LIC
Qty	1
Description	License key for enabling OOB BIOS management

#### Heatsink / Retention

Part Number	SNK-P0088P
Qty	2
Description	2U Passive CPU HS for X13 Intel Eagle Stream Platform

#### \*Power Supply

Part Number	PWS-1K23A-1R
Qty	2
Description	AC-DC 1200W, Titanium Level, Redundancy, 1U, PMBUS 1.2, +12V/+5Vsb, 336x76x40 mm,HF,RoHS/REACH

#### \*Power Distributor

Part Number	PDB-PT829-S8824
Qty	1
Description	PDB with 23pairs input connectors for SC829B216B

#### \*Fan

Part Number	FAN-0206L4
Qty	3
Description	80x80x38 mm, 13.5K RPM, Middle Cooling Fan for 2U and above Servers

#### \*Front Panel

Part Number	FPB-FP826-D	FPB-TB826
Qty	1	1
Description	Front control board Dual color LED(FP826-D)forSC826,213,216,	16 pin Cable Adaptor Board for SC826

#### \*Rear Window

Part Number	MCP-240-82608-0N
Qty	1
Description	216B/826B LP rear window,RoHS/REACH,PBF

#### \*Peripheral Drive

Part Number	MCP-290-00007-01
Qty	1
Description	Black DVD dummy cover for SC825, 836

#### \*Rail Set

Part Number	MCP-290-00053-0N	MCP-290-00060-0N
Qty	1	1
Description	Rail set, quick/quick, default for 2,3U 17.2"W	Threaded rail adapter default for round hole rack

#### \*Air Shroud

Part Number	MCP-310-29001-0N
Qty	1
Description	SC825/826/216/213 Intel DP X9,X8 air shroud 13.68x13/12x13

#### Notes:

1. Parts with \* are inside the chassis
2. Excessive parts might not be shipped, including but not limited to excessive drive trays, fans, riser brackets, air shrouds, IO shields, cables.....etc.

### Optional Parts List

Management Software	
Part Number	SFT-DCMS-Single
Qty	1
Description	DataCenter Management Package (per node license)
Optional 2x front fixed SATA drive Kit	
Part Number	1x MCP-220-00044-0N, 2xCBL-SAST-0624+1*CBL-0082L
Qty	1
Description	1x MCP-220-00044-0N can support 2x 2.5 inch fixed drives in 1x 5.25 inch drive bay
Optional 2x Rear hot-Swap SATA drive Kit	
Part Number	1x 1xMCP-220-82616-0N+1xCBL-0182L
Qty	1
Description	1x MCP-220-82616-0N can support 2x 2.5 inch fixed drives in Rear side
Optional 16-ports SAS Raid controller kit	
Part Number	1xAOC-S3916L-H16IR-32DD-O
Qty	1
Description	Standard LP, 8 internal ports (12Gb/s) Gen-4; RAID 0, 1, 5, 6, 10, 50, 60
Optional 2U Cable Management Arm Kit	
Part Number	1 x MCP-120-82503-0N+1 x MCP-290-00073-0N <a href="https://store.supermicro.com/2u-3u-4u-cable-management-arm-mcp-290-00073-0n-1.html">Store (https://store.supermicro.com/2u-3u-4u-cable-management-arm-mcp-290-00073-0n-1.html)</a>
Qty	1
Description	2U Cable Management Arm Kit
Optional 8-ports SAS Raid controller kit	
Part Number	1x AOC-S3908L-H8IR-16DD-O
Qty	1
Description	Standard LP, 8 internal ports (12Gb/s) Gen-4; RAID 0, 1, 5, 6, 10, 50, 60
Optional CacheVaults Kit	
Part Number	1xBTR-CVPM05+1x MCP-240-00203-0N
Qty	1
Description	CacheVault for Broadcom 3908/3916 with Supercap and PCI bracekt
Optional Front Hot-Swap NVMe Kit	
Part Number	1xCBL-MCIO-1260M5 for 2 U.2 NVMe Drives
Qty	1
Description	NVMe Kit for front hot-swap NVMe . Max. 4 NVMe support
Optional Front Slim ODD Kit	
Part Number	1xDVM-TEAC-DVD-SBT5+1x MCP-220-81502-0N <a href="https://store.supermicro.com/dvd-mounting-kit-mcp-220-81502-0n.html">Store (https://store.supermicro.com/dvd-mounting-kit-mcp-220-81502-0n.html)</a>
Qty	1
Description	BLACK TEAC SLIM DVD SATA DRIVE
Optional MCC CPU Carrier	
Part Number	1x SKT-1424L-001B-FXC
Qty	1
Description	CPU Carrier for Intel Socket-E ( LGA4677) E1B MCC CPU
Optional Trusted Platform Module	
Part Number	1 x AOM-TPM-9670V-S-O
Qty	1
Description	SPI Vertical TPM 2.0 0 using SLB9670
Optional XCC CPU Carrier	
Part Number	1x SKT-1333L-0000-FXC
Qty	1
Description	CPU Carrier for Intel Socket-E ( LGA4677) E1A XCC CPU

[Global SKU \(/en/products/SMC\\_global\\_skus\)](#)