



- Dimension (W x L x H): 150 x 200 x 86 mm
- Maximum Output Power: 1200W/1500W/2000W

INPUT CHARACTERISTICS

RATED VOLTAGE / CURRENT	100 - 240Vac / 15-12A
RATED FREQUENCY	50-60HZ
INRUSH CURRENT	115Vac 50A / 230Vac 100A at cold start
POWER FACTOR	0.99 (Typical)
INLET CONNECTOR	IEC 60320 C20

DC OUTPUT CHARACTERISTICS

MAXIMUM OUTPUT POWER	Output Voltage	Min Output Current	Max Output Current
	+12V	0.1A	100A@1200W 125A@1500W 166.6A@2000W
	+5V	0.1A	25A
	+3.3V	0A	25A
	-12V	0A	0.5A
	5Vsb	0A	4A

Notes:
 Max continuous total output is 1200W at 100-115Vac.
 Max continuous total output is 1500W at 115-200Vac.
 Max continuous total output is 2000W at 200-264Vac.
 Max continuous combined +3.3Vdc and +5Vdc is 150W.

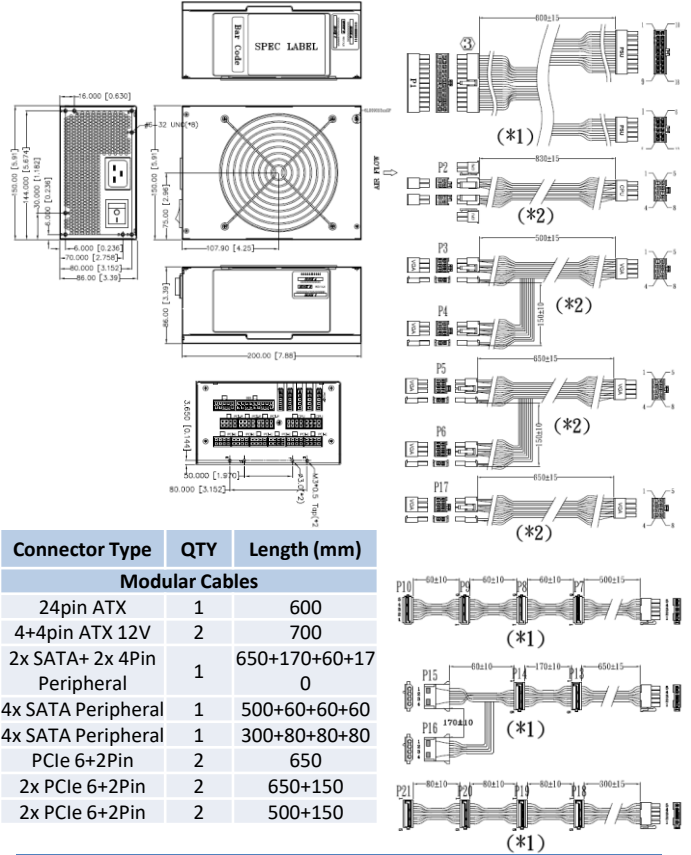
EFFICIENCY	80Plus Platinum (92%+)
REGULATION	+3.3V/+5V/+12V/+5Vsb: +/-5% -12V: +/-10%
RIPPLE & NOISE	+3.3V/+5V/+5Vsb: 50mV +12V/-12V: 120mV
HOLD UP TIME	PWOK 16ms at 75% of max Loading Vout 17ms at 75% of max loading

GENERAL SPECIFICATIONS

MTBF	100,000hours, 25 °C
REMOTE CONTROL	PSON signal is for remote turn ON/OFF the power supply
PROTECTION	OCP, OVP, Short Circuit, Over Temperature, Input Under Voltage

Features and Benefits:

- Platinum Efficiency
- Optimized for Workstations and Desktop Application
- Modular Cable Output
- 17ms Hold up time



REGULATORY

SAFETY COMPLIANCE	UL62368-1 EN60950-1/EN62368-1 IEC60950-1/IEC62368-1 TUV CE Low Voltage Directive BSMI/ CQC (5000M)
EMC	FCC/CISPR Class B

ENVIRONMENTAL SPECIFICATIONS

AMBIENT TEMPERATURE	Operating: 0 to 50 °C Non-Operating: -20 to 80 °C
OPERATING ALTITUDE	Operating: to 5000m Non-Operating: to 15200m
RELATIVE HUMIDITY	Operating: 10~90% (non-condensing) Non-Operating: To 95% (non-condensing)

Disclaimer: Specification is subject to change without prior notice

REV 01062021