



Q5

2U Active Air Cooler

PRODUCT SPECIFICATIONS

Q5| Socket LGA 1700

Model Number: Q5

- Recommend for Intel® CPU as following
 - Intel® Alder Lake S Processor, Socket LGA 1700
- Active Cooler for 2U Server & Up

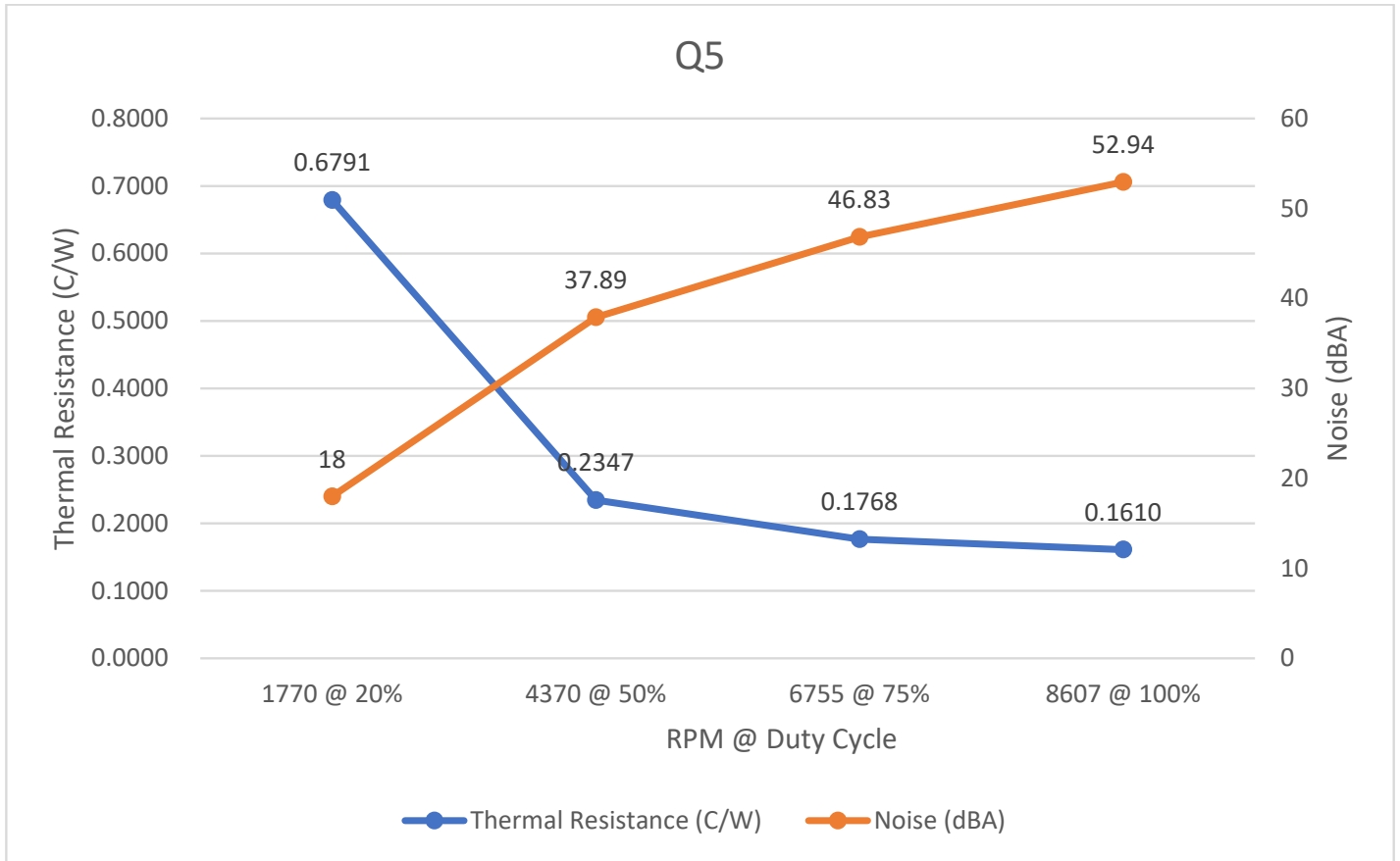
Overall Specification

Dimension	90.7 x 85.0 x 65.1 mm
Weight	515±5g
Material	Copper Base & Aluminum Fins with Heat Pipe embedded
Fan	6025 Side-blow fan with PWM Function
Mounting Method	Cooler Mounted in Captive design
Back Strip Set	Included
Thermal Grease	SHIN-ETSU 7762 Pre-printed
TDP	Up to 185 Watts

Cooling Fan Specification

Dimension	60 x 60 x 25 mm
Bearing	Double Ball
Rated Voltage	12V
Rated Speed	At Duty Cycle 0~20%: 1600± 200 RPM At Duty Cycle 50%: 4000± 10% RPM At Duty Cycle 100%: 8000 RPM
Input Power	At Duty Cycle 0~20%: 1.20 W At Duty Cycle 50%: 2.28 W At Duty Cycle 100%: 7.20 W
Maximum Airflow	At Duty Cycle 0~20%: 9.28 CFM At Duty Cycle 50%: 23.21 CFM At Duty Cycle 100%: 46.41 CFM
Rated Static Pressure	At Duty Cycle 0~20%: 0.76 mm-H2O At Duty Cycle 50%: 4.76 mm-H2O At Duty Cycle 100%: 19.04 mm-H2O
Acoustical Noise	At Duty Cycle 0~20%: 18 dBA At Duty Cycle 50%: 37.89 dBA At Duty Cycle 100%: 52.94 dBA
Lead Wire Pin Out	Pin#1- Black(-) Pin#2- Yellow(+) Pin#3- Green(Tachometer/ Signal Output) Pin#4- Blue (PWM)

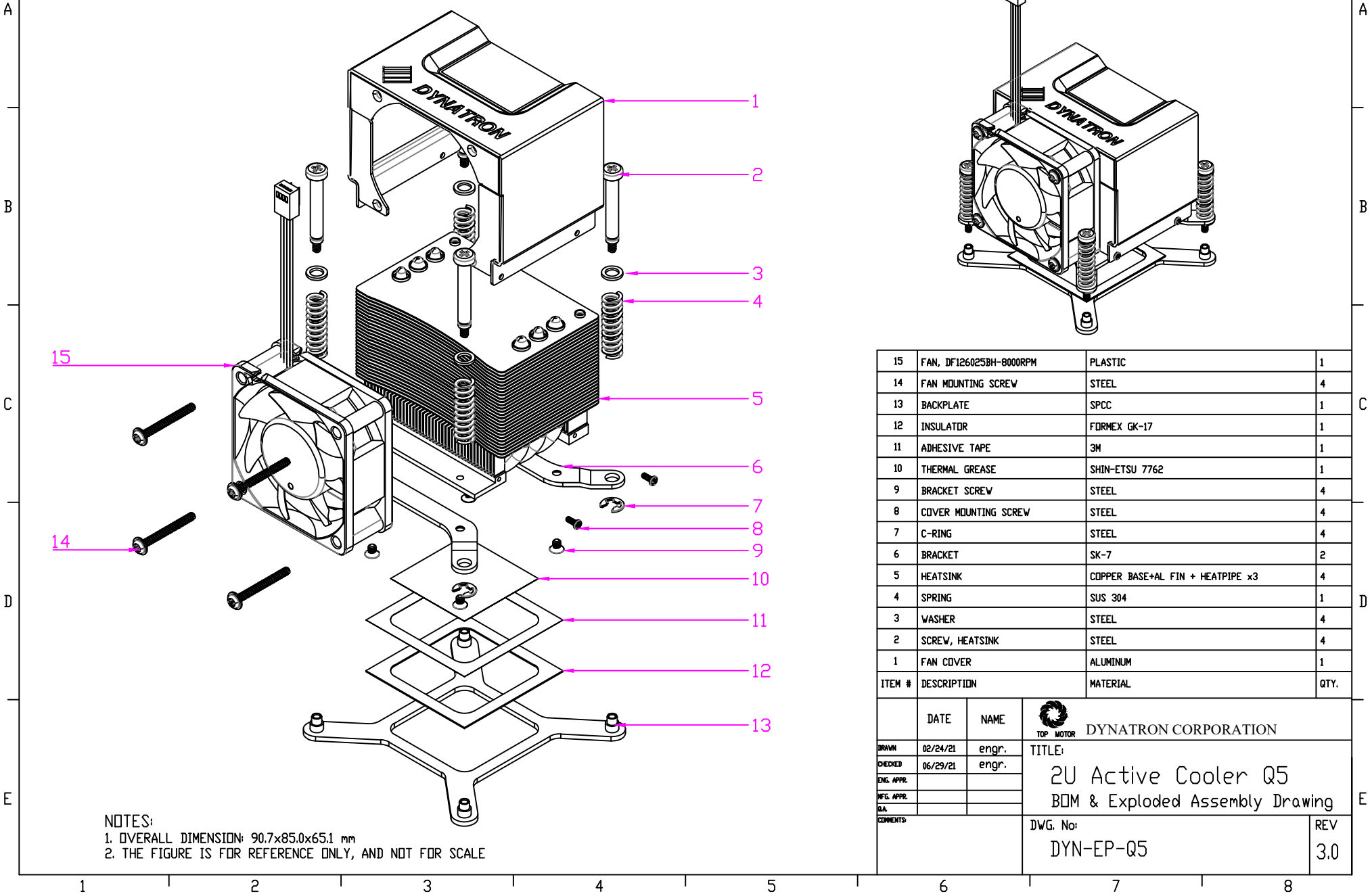
Performance Chart: Active Cooler Q5 Thermal Resistance Thermal Resistance vs. Fan Speed (Duty Cycle and RPM)



CONFIDENTIAL DOCUMENT


THIS DRAWING CONTAINS INFORMATION PROPRIETARY TO DYNATRON CORPORATION AND DYNMEIN INDUSTRIAL CO., LTD. ANY REPRODUCTION, DISCLOSURE, OR USE OF THIS DRAWING IS EXPRESSLY PROHIBITED EXCEPT AS DYNATRON CORPORATION AND DYNMEIN INDUSTRIAL CO., LTD. MAY OTHERWISE AGREE TO IN WRITING.

REV#	DESCRIPTION	CHECKER	DATE
0.0	INITIAL RELEASE	JQY	02/24/21
1.0	FAN UPDATE	JQY	06/29/21
2.0	BACKPLATE UPDATE	JQY	10/07/21
3.0	ADD WASHER	JQY	11/08/21

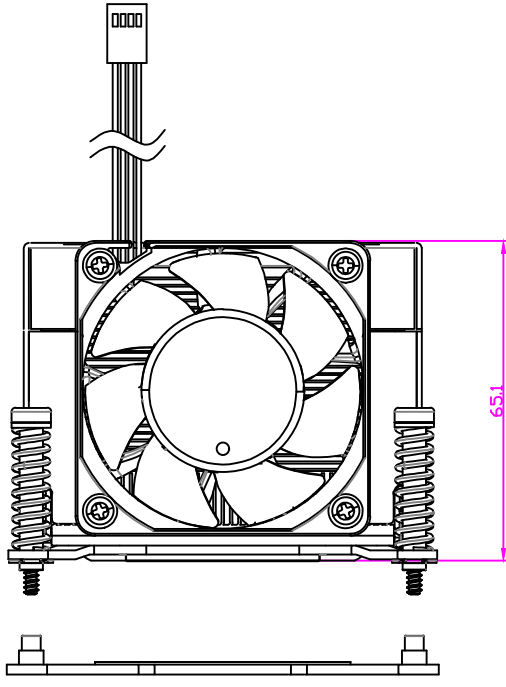
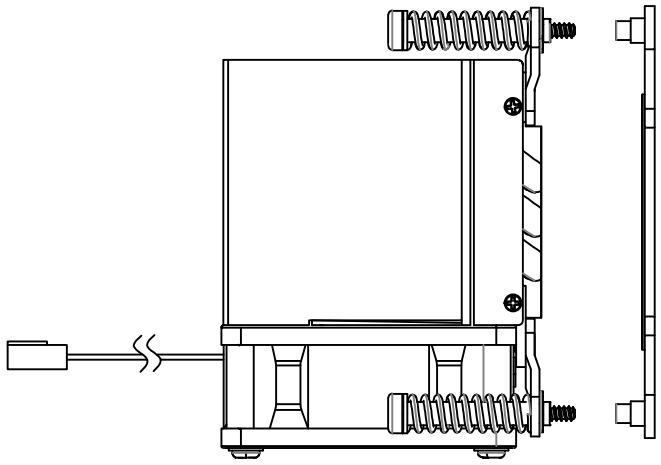
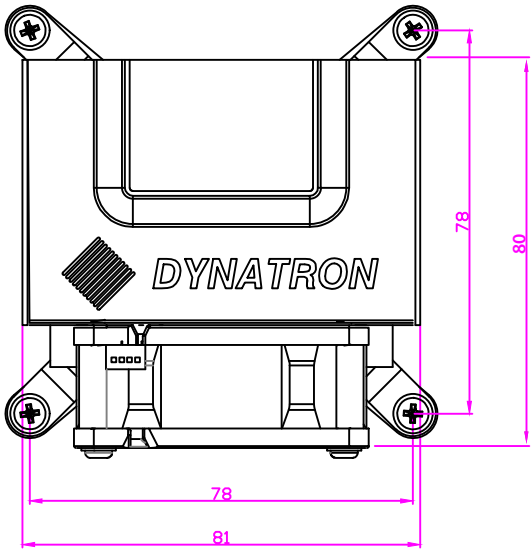


ITEM #	DESCRIPTION	MATERIAL	QTY.
15	FAN, DF126025BH-8000RPM	PLASTIC	1
14	FAN MOUNTING SCREW	STEEL	4
13	BACKPLATE	SPCC	1
12	INSULATOR	FORMEX GK-17	1
11	ADHESIVE TAPE	3M	1
10	THERMAL GREASE	SHIN-ETSU 7762	1
9	BRACKET SCREW	STEEL	4
8	COVER MOUNTING SCREW	STEEL	4
7	C-RING	STEEL	4
6	BRACKET	SK-7	2
5	HEATSINK	COPPER BASE+AL FIN + HEATPIPE x3	4
4	SPRING	SUS 304	1
3	WASHER	STEEL	4
2	SCREW, HEATSINK	STEEL	4
1	FAN COVER	ALUMINUM	1

NOTES:
 1. OVERALL DIMENSION: 90.7x85.0x65.1 mm
 2. THE FIGURE IS FOR REFERENCE ONLY, AND NOT FOR SCALE

		 DYNATRON CORPORATION	
DRAWN	02/24/21	NAME	engr.
CHECKED	06/29/21	NAME	engr.
ENG. APPR.			
MFG. APPR.			
QA			
COMMENTS:		TITLE: 2U Active Cooler Q5 BDM & Exploded Assembly Drawing	
		DWG. No: DYN-EP-Q5	REV 3.0

REV#	DESCRIPTION	CHECKER	DATE
0.0	INITIAL RELEASE	JYJ	02/24/21
1.0	BACKPLATE UPDATE	JYJ	02/24/21
2.0	ADD WASHER	JYJ	11/09/21



	NAME	DATE
DRAWN BY	ENGR	02/24/2021
CHECKED BY	ENGR	02/24/2021
ENG. APPROVED		
MFG. APPROVED	-	-



DYNATRON CORPORATION

TITLE: 2U ACTIVE COOLER Q5
Overall Dimension Drawing

CONFIDENTIAL DOCUMENT
THIS DRAWING CONTAINS INFORMATION PROPRIETARY TO DYNATRON CORPORATION AND DYNAEON INDUSTRIAL CO., LTD. ANY REPRODUCTION, DISCLOSURE, OR USE OF THIS DRAWING IS EXPRESSLY PROHIBITED EXCEPT AS DYNATRON CORPORATION AND DYNAEON INDUSTRIAL CO., LTD. MAY OTHERWISE AGREE TO IN WRITING.

VIEW		DWG. No:	REV.
UNITS	MM	DYN-BD-Q5	2.0