



J2

1U Passive Air Cooler

PRODUCT SPECIFICATIONS

Specification Version: 03/11/2022

(Specifications are subject to change without notice)

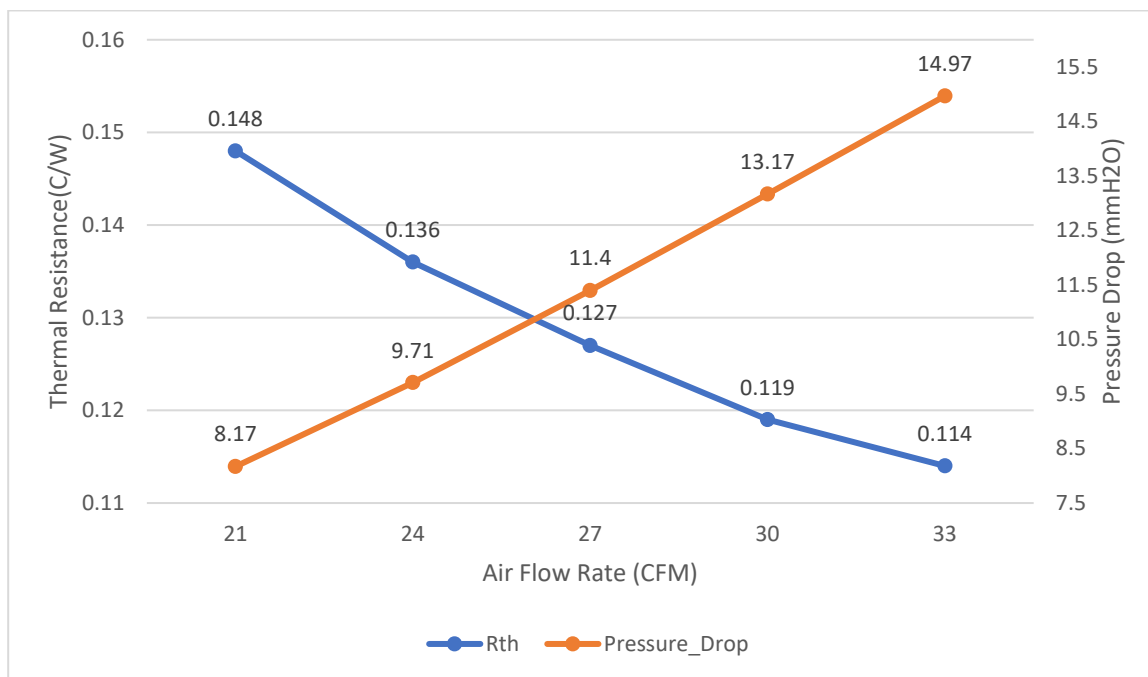
Model Number: J2

- Recommend for AMD® CPU as following
 - AMD® Genoa® Processor Family, Socket SP5
- Passive Air Cooler for 1U Server and Up

Overall Specification

Dimension	118.0 x 92.4 x 27.0 mm
Weight	642g
Material	Copper Fin + Vapor Chamber
Thermal Grease	Shin-Etsu 7762 Pre-Printed
TDP	Up to 300 Watts

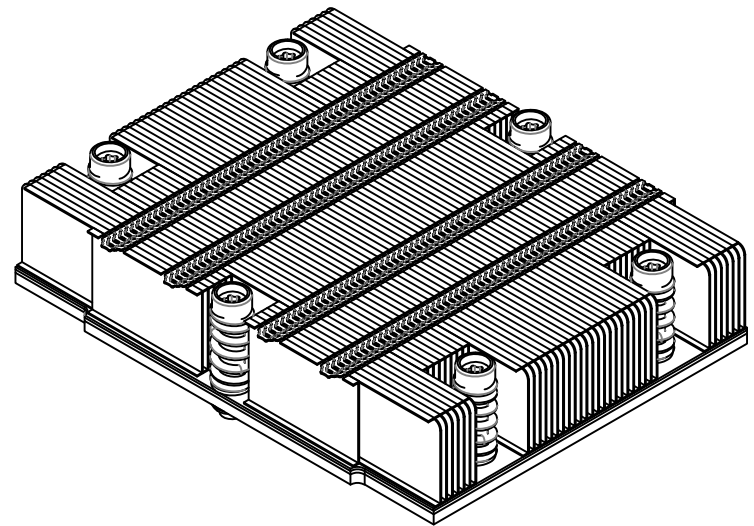
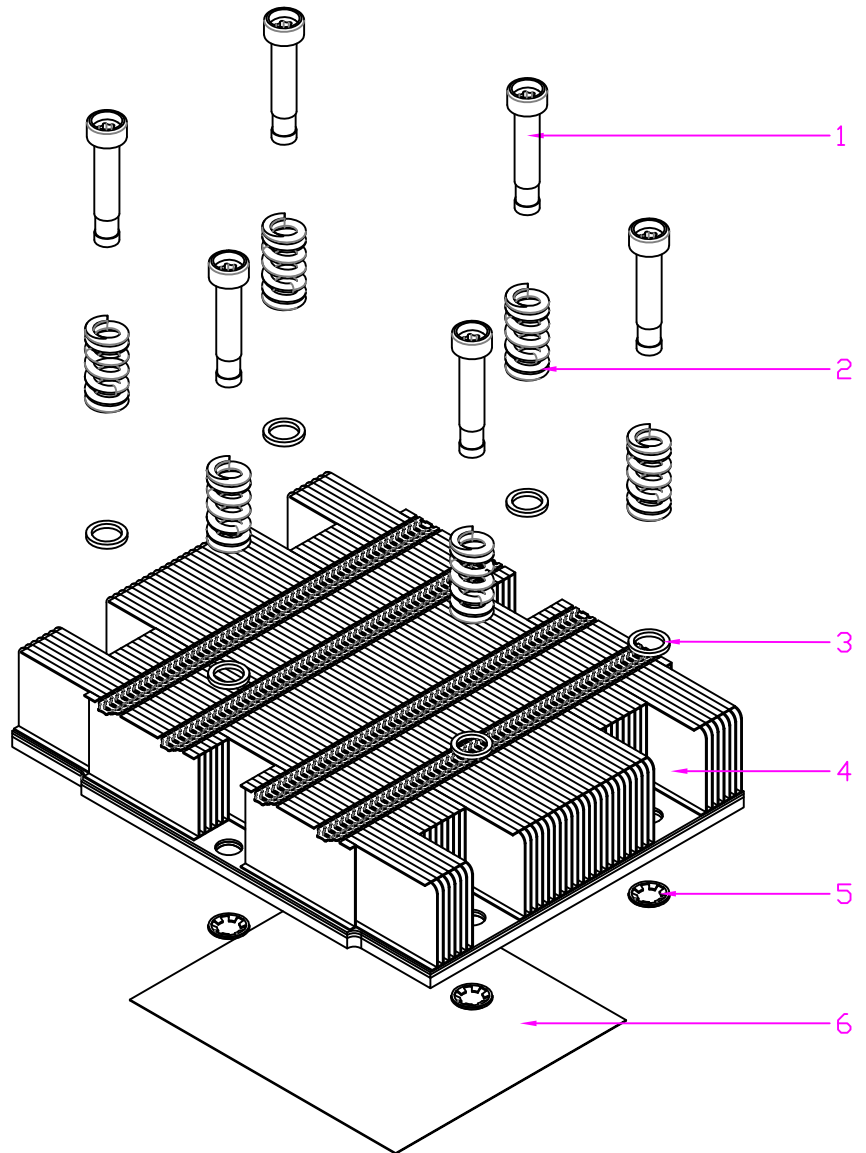
Performance Chart: Passive Cooler J2 Thermal Resistance vs. Airflow



CONFIDENTIAL DOCUMENT

THIS DRAWING CONTAINS INFORMATION PROPRIETARY TO DYNATRON CORPORATION AND DYMAED INDUSTRIAL CO., LTD. ANY REPRODUCTION, DISCLOSURE, OR USE OF THIS DRAWING IS EXPRESSLY PROHIBITED EXCEPT AS DYNATRON CORPORATION AND DYMAED INDUSTRIAL CO., LTD. MAY OTHERWISE AGREE TO IN WRITING.

REV#	DESCRIPTION	CHECKER	DATE
0.0	INITIAL RELEASE	Engr.	02/24/22

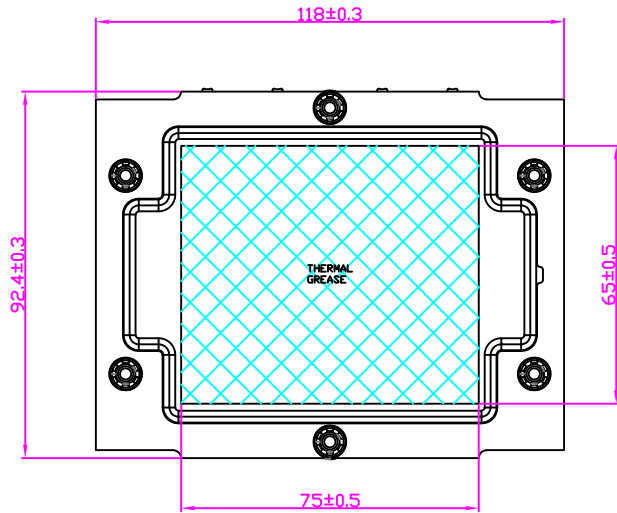
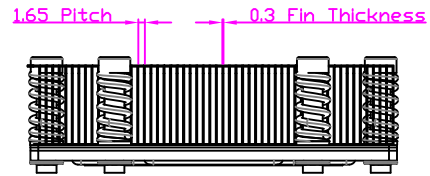
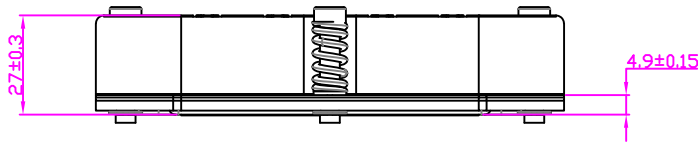
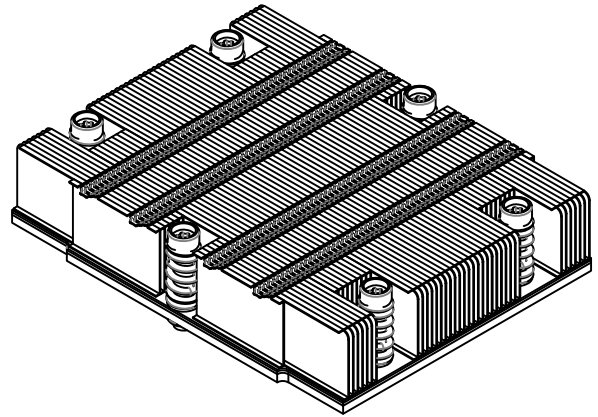
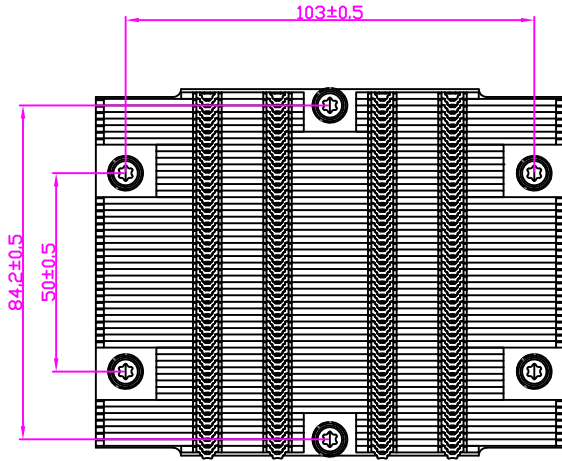


6	THERMAL GREASE	SHIN-ETSU 7762	N/A
5	C-RING	STEEL	6
4	HEATSINK	COPPER FIN, VAPOR CHAMBER, STEEL RETENTION	1
3	WASHER	STEEL	6
2	SPRING	STEEL	6
1	SCREW, HEATSINK	STEEL	6
ITEM #	DESCRIPTION	MATERIAL	QTY.

DATE	NAME	
02/24/22	Engr.	
CHECKED	02/24/22	Engr.
ENG. APPR.		
MFG. APPR.		
QA		
COMMENTS	TITLE: 1U Air Cooler J2 BOM & Exploded Assembly Drawing	
DWG. No: DYN-EP-J2		REV 0.0

NOTES:
 1. THE FIGURE IS FOR REFERENCE ONLY, AND NOT FOR SCALE

REV#	DESCRIPTION	CHECKER	DATE
0.0	INITIAL RELEASE	Engr.	02/24/22



NOTES:
1. THE FIGURE IS FOR REFERENCE ONLY, AND NOT FOR SCALE

	NAME	DATE
DRAWN BY	ENGR	02/24/2022
CHECKED BY	ENGR	02/24/2022
ENG. APPROVED		
MFG. APPROVED	-	-



DYNATRON CORPORATION

TITLE: 1U Air Cooler J2
Overall Dimension Drawing

CONFIDENTIAL DOCUMENT
THIS DRAWING CONTAINS INFORMATION PROPRIETARY TO DYNATRON CORPORATION AND DYNAEDN INDUSTRIAL CO., LTD. ANY REPRODUCTION, DISCLOSURE, OR USE OF THIS DRAWING IS EXPRESSLY PROHIBITED EXCEPT AS DYNATRON CORPORATION AND DYNAEDN INDUSTRIAL CO., LTD. MAY OTHERWISE AGREE TO IN WRITING.

VIEW		DWG. No:	REV.
UNITS	MM	DYN-BD-J2	0.0

Publication History:

03/11/2022: Add full information

02/24/2022: Initial Release