

Application :

- Recommend for Intel® Xeon® Platinum / Gold Family Processor (Products formerly Skylake), Socket FCLGA3647
- **For Square ILM Only**
- Active Cooler for 3U Server and up

Overall Specification :

- Dimension: 90 x 90 x 110 mm
- Weight: 600 g
- Material : Aluminum Heatsink with Heatpipe Embedded
- 8025 Axial PWM Fan for Heat Exhausting
- Convenient Heat Sink Screw captive mounting
- Thermal Grease Shin-Etsu 7762 Pre-printed
- Support CPU power up to 205 Watts heat dissipation
- Includes both Fabric and Non-Fabric Package Carriers

Fan Specification:

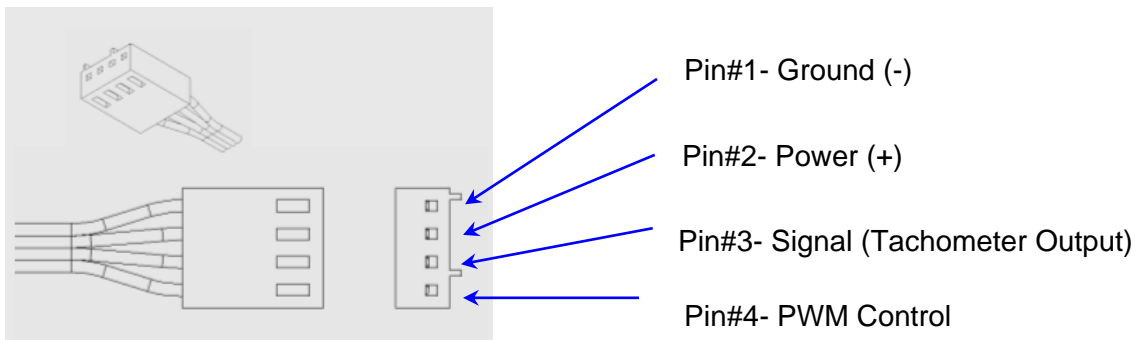
- Model Number: DF128025BM-PWM
- Dimension: 80 x 80 x 25 mm
- Bearing: Ball Type, Double
- Rated Voltage: 12V
- Rated Speed:
 - At Duty Cycle 0~20%: 1000 ± 200 RPM
 - At Duty Cycle 50%: 2300 ± 10% RPM
 - At Duty Cycle 100%: 4000 ± 10% RPM
- Rated Input Power:
 - At Duty Cycle 0~20%: 0.96 W
 - At Duty Cycle 50%: 1.44 W
 - At Duty Cycle 100%: 4.8 W
- Rated Airflow:
 - At Duty Cycle 0~20%: 12.5 CFM
 - At Duty Cycle 50%: 28.8 CFM
 - At Duty Cycle 100%: 50.0 CFM

- Rated Static Pressure:
 - At Duty Cycle 0~20%: 0.5 mm-H₂O
 - At Duty Cycle 50%: 2.6 mm-H₂O
 - At Duty Cycle 100%: 7.8 mm-H₂O

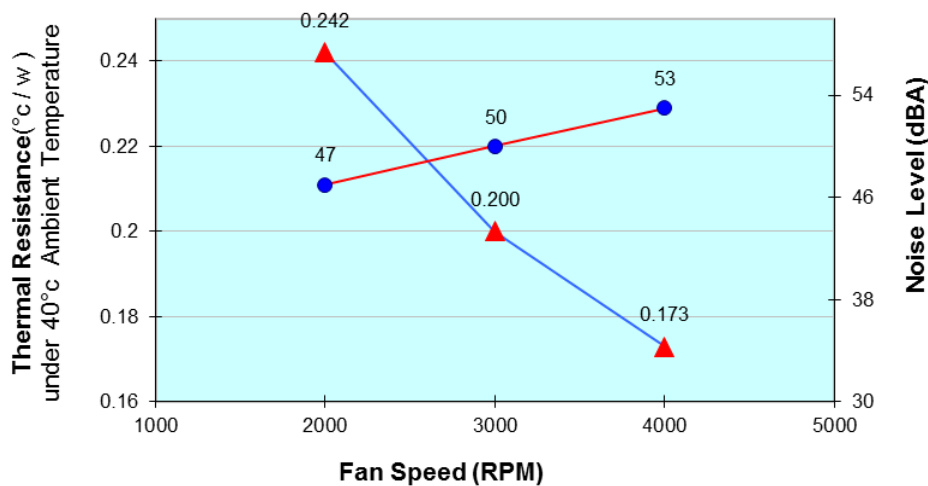
- Rated Acoustical Noise:
 - At Duty Cycle 0~20%: 16 dBA
 - At Duty Cycle 50%: 30.2 dBA
 - At Duty Cycle 100%: 42.2 dBA

- Lead Wire Pin Out:
 - Pin#1-Black(-)
 - Pin#2- Yellow(+)
 - Pin#3- Green(Tachometer/ Signal Output)
 - Pin#4- Blue (PWM)

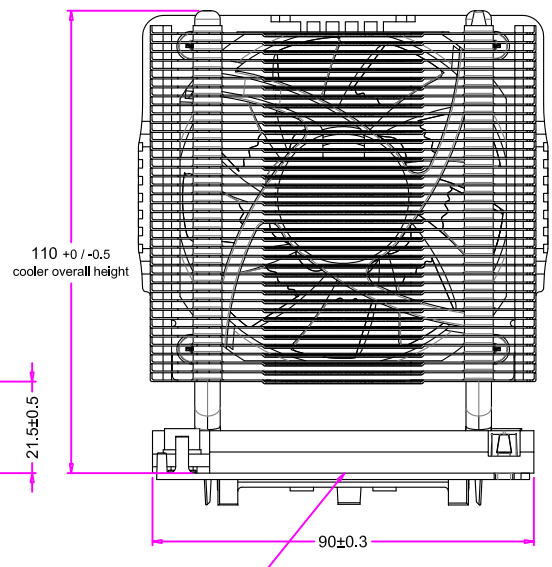
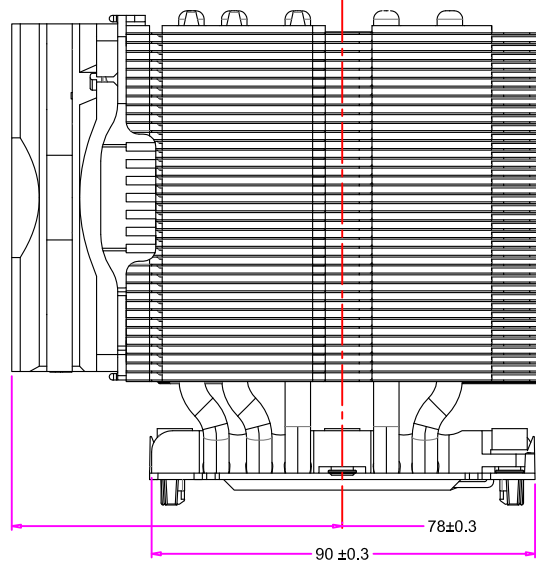
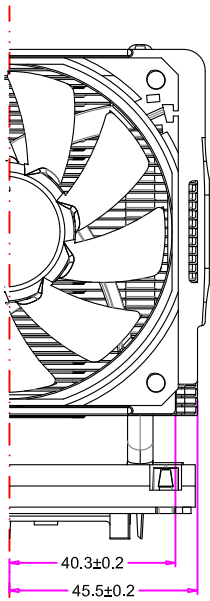
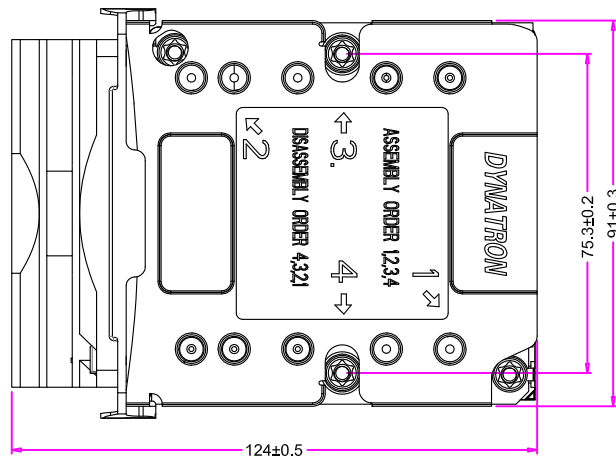
- Lead Wire Pin Out Diagram :



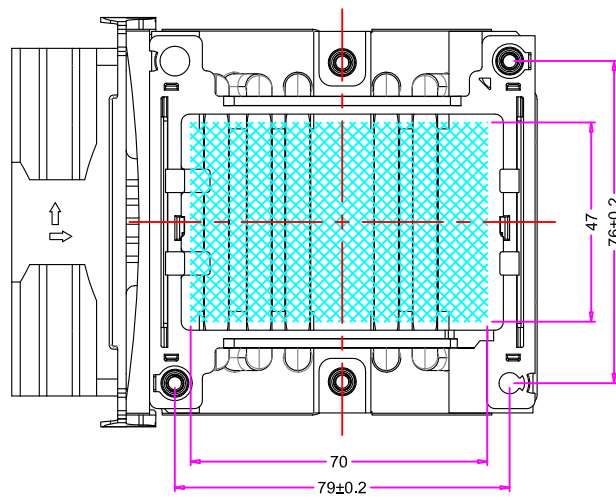
Active Cooler B14 Thermal Performance Curve :



REV#	DESCRIPTION	CHECKER	DATE
0.0	INITIAL RELEASE	LANG	03/14/17



0.10
Ra < 1.2
MILL



	NAME	DATE
DRAWN BY	ENGR	03/14/2017
CHECKED BY	LANG	03/14/2017
ENG. APPROVED		
MFG. APPROVED	-	-



DYNATRON CORPORATION

TOP MOTOR

TITLE: 3U Active Cooler **B14**
Overall Dimension Drawing

CONFIDENTIAL DOCUMENT

THIS DRAWING CONTAINS INFORMATION PROPRIETARY TO DYNATRON CORPORATION AND DYNAEON INDUSTRIAL CO., LTD. ANY REPRODUCTION, DISCLOSURE, OR USE OF THIS DRAWING IS EXPRESSLY PROHIBITED EXCEPT AS DYNATRON CORPORATION AND DYNAEON INDUSTRIAL CO., LTD. MAY OTHERWISE AGREE TO IN WRITING.

VIEW	
UNITS	MM

DWG. No:

DYN-DM-B14

REV.
0.0