

A47

2U Active Air Cooler

PRODUCT SPECIFICATIONS

Table of Contents

1. Product Description	4
2. Performance Curve	5
3. Product Dimension	6

Document History List

01/09/2023: Initial release (0.0)

Model Number: A47

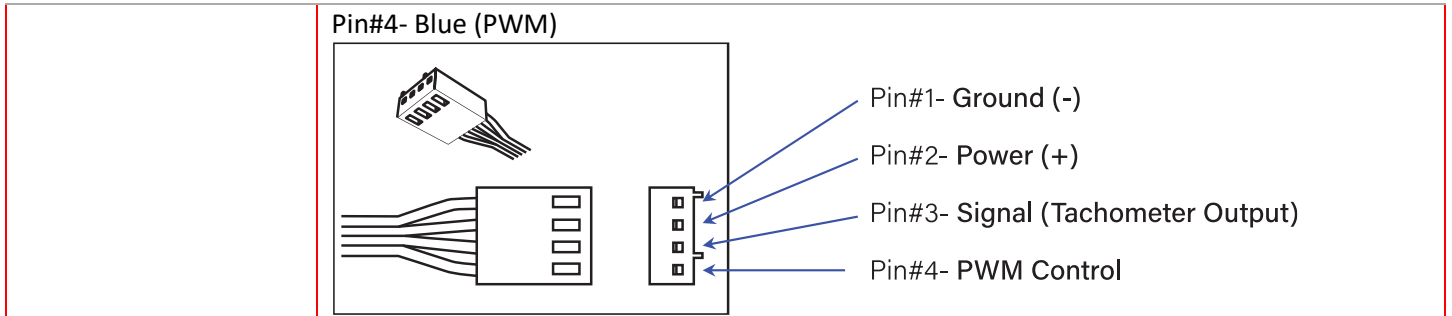
- Recommend for AMD CPU as following
 - AMD Ryzen Processor Family
- Active Cooler for 2U Server & Up

Overall Specification

Dimension	107 x 78 x 67 mm
Weight	400 g
Material	4 Heat pipes and Aluminum Stacked Fin
Fan	6025 Side-blow fan with PWM Function
Mounting Method	Convenient Heat Sink Captive Mounting
Thermal Grease	SHIT-ETSU 7762 pre-printed
TDP	Support CPU Power up to 145 Watts Heat Dissipation

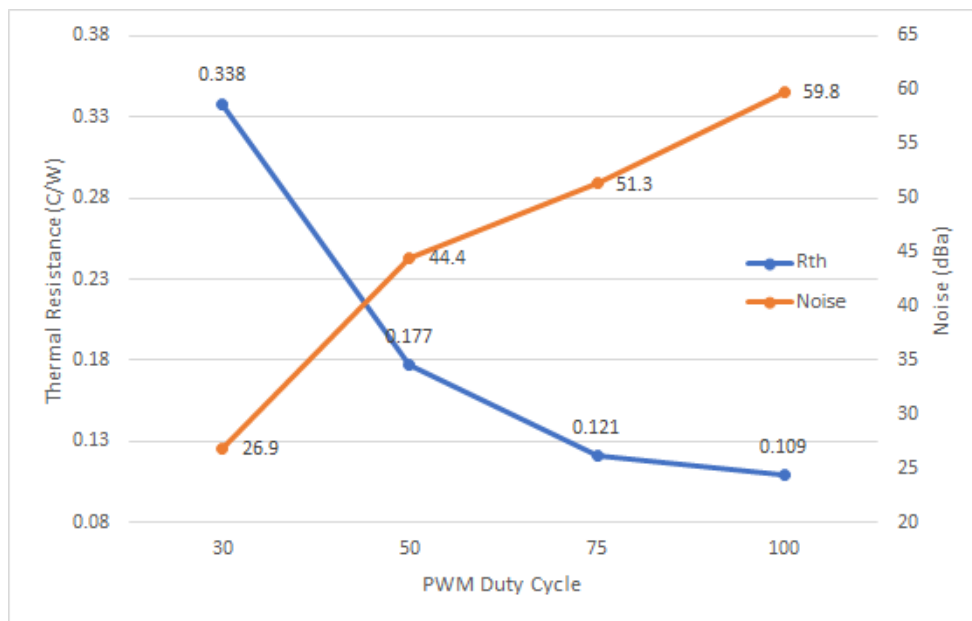
Cooling Fan Specification

Model Number	DF126025BU-PWMH
Dimension	60 x 60 x 25 mm
Bearing	Double Ball
Rated Voltage	12V
Rated Speed	At Duty Cycle 0~20%: 2300± 200 RPM At Duty Cycle 50%: 5400± 10% RPM At Duty Cycle 100%: 11000±10% RPM
Input Power	At Duty Cycle 0~20%: 0.84 W At Duty Cycle 50%: 2.76 W At Duty Cycle 100%: 18.0 W
Maximum Airflow	At Duty Cycle 0~20%: 11.91 CFM At Duty Cycle 50%: 28.38 CFM At Duty Cycle 100%: 58.31 CFM
Rated Static Pressure	At Duty Cycle 0~20%: 1.48 mm-H2O At Duty Cycle 50%: 7.54 mm-H2O At Duty Cycle 100%: 28.8 mm-H2O
Acoustical Noise	At Duty Cycle 0~20%: 25.8 dBA At Duty Cycle 50%: 44.4 dBA At Duty Cycle 100%: 59.8 dBA
Lead Wire Pin Out	Pin#1- Black(-) Pin#2- Yellow(+) Pin#3- Green(Tachometer/ Signal Output)

A47 | Socket AM4/AM5


Performance Chart: Active Cooler A47 Thermal Resistance

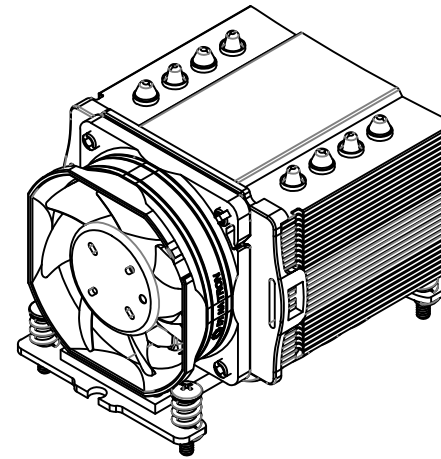
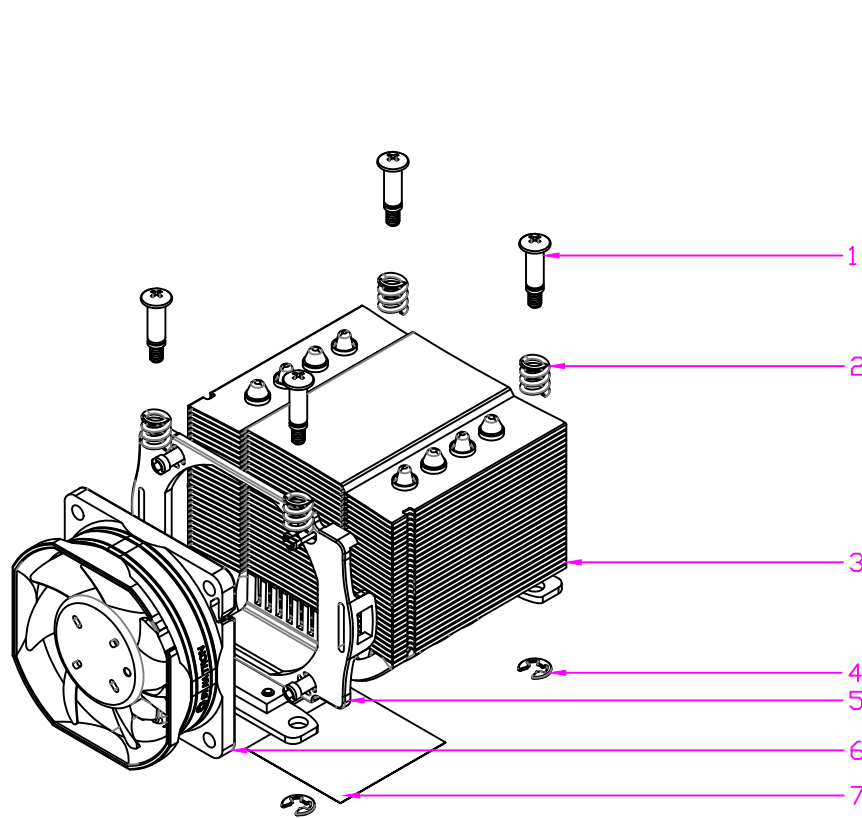
Active Cooler A47 Cooling Performance vs. Duty Cycle




CONFIDENTIAL DOCUMENT

THIS DRAWING CONTAINS INFORMATION PROPRIETARY TO DYNATRON CORPORATION AND DYNAMON INDUSTRIAL CO., LTD. ANY REPRODUCTION, DISCLOSURE, OR USE OF THIS DRAWING IS EXPRESSLY PROHIBITED EXCEPT AS DYNATRON CORPORATION AND DYNAMON INDUSTRIAL CO., LTD. MAY OTHERWISE AGREE TO IN WRITING.

REV#	DESCRIPTION	CHECKER	DATE
0.0	INITIAL RELEASE	Engr.	01/10/23



7	THERMAL GREASE	SHIN-ETSU, 7762	1
6	FAN DF126025BU-PWMH	PLASTIC	1
5	FAN BRACKET	PLASTIC	1
4	C-RING	STEEL	4
3	HEATSINK	AL STACK FIN, COPPER HEAT PIPE	1
2	SPRING	STEEL	4
1	SCREW, HEATSINK	STEEL	4
ITEM #	DESCRIPTION	MATERIAL	QTY.

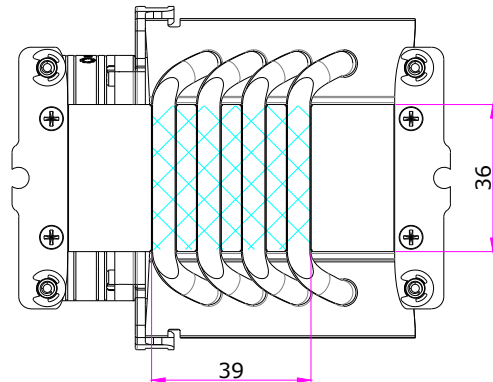
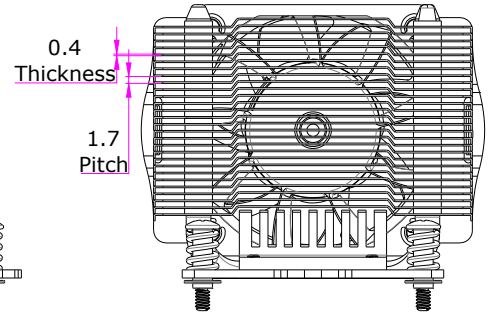
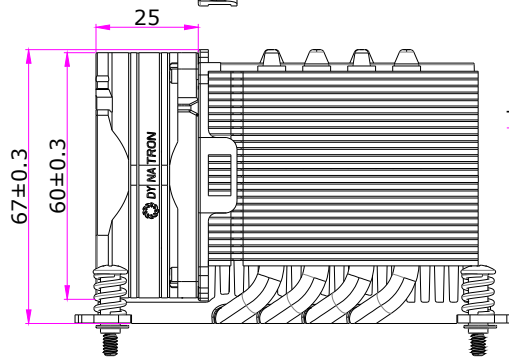
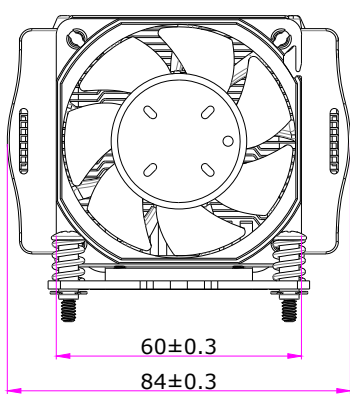
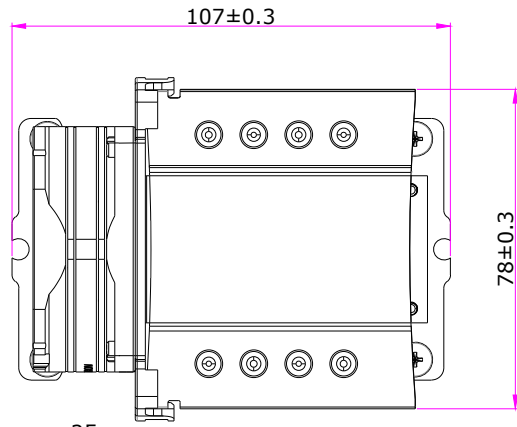
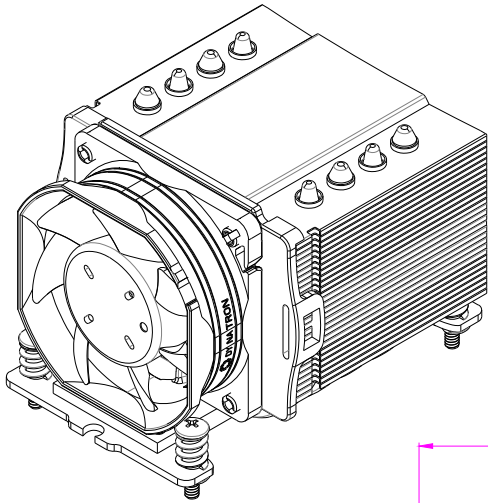
DATE	NAME	 DYNATRON CORPORATION
01/10/23	Engr.	
CHECKED	01/10/23	Engr.
ENG. APPR.		
MFG. APPR.		
QA		
COMMENTS:	TITLE: 2U Air Cooler A47 BOM & Exploded Assembly Drawing	
DWG. No:		REV
DYN-EP-A47		0.0

NOTES:

1. THE FIGURE IS FOR REFERENCE ONLY, AND NOT FOR SCALE

1 2 3 4 5 6 7

REV#	DESCRIPTION	CHECKER	DATE
0.0	INITIAL RELEASE	Jun	01/10/23



A
B
C
D
E
F
G
H

A
B
C
D
E
F
G
H

	NAME	DATE
DRAWN BY	Jun	01/10/2023
CHECKED BY	Jun	01/10/2023
ENG. APPROVED		
MFG. APPROVED	-	-



DYNATRON CORPORATION

TITLE: 2U Air Cooler A47
Overall Dimension Drawing

CONFIDENTIAL DOCUMENT
THIS DRAWING CONTAINS INFORMATION PROPRIETARY TO DYNATRON CORPORATION AND DYNAEON INDUSTRIAL CO., LTD. ANY REPRODUCTION, DISCLOSURE, OR USE OF THIS DRAWING IS EXPRESSLY PROHIBITED EXCEPT AS DYNATRON CORPORATION AND DYNAEON INDUSTRIAL CO., LTD. MAY OTHERWISE AGREE TO IN WRITING.

VIEW		DWG. No:	REV.
UNITS	MM	DYN-BD-A47	0.0

1 2 3 4 5 6 7